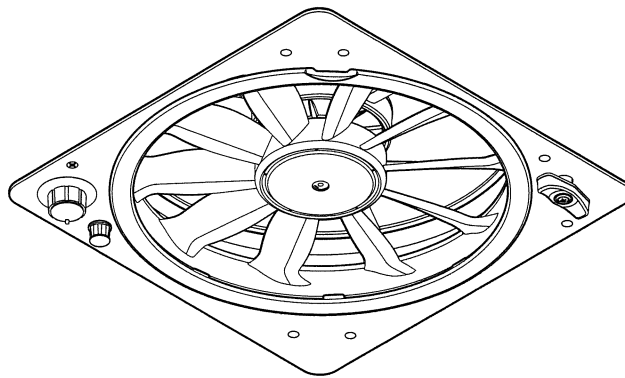


↗ DOMETIC

FAN-TASTIC VENT FAN



Fan-Tastic Vent™ Fans and Controllers

EN

Fan-Tastic Vent

Installation and Operation Manual..... 1

FR

Fan-Tastic Vent

Manuel d'installation et d'utilisation 17

NORTH AMERICAN ADDRESS INFORMATION

USA & CANADA

Service Office
Dometic Corporation
1120 North Main Street
Elkhart, IN 46514

Service Center & Dealer Locations

Visit: www.dometic.com

Read these instructions carefully. These instructions MUST stay with this product.

CONTENTS

1	Explanation of symbols and safety instructions	2
2	General information	3
3	intended use	3
4	Installation	4
5	Operation	6
6	Maintenance	14

1 EXPLANATION OF SYMBOLS AND SAFETY INSTRUCTIONS

This manual has safety information and instructions to help you eliminate or reduce the risk of accidents, injuries, or property damage.

1.1 Recognize safety information



This is the safety alert symbol. It is used to alert you to potential physical injury hazards. Obey all safety messages that follow this symbol to avoid possible injury or death.

1.2 Understand signal words

A signal word will identify safety messages and property damage messages, and will indicate the degree or level of hazard seriousness.



WARNING indicates a hazardous situation that, if **not** avoided, could result in death or serious injury.



CAUTION indicates a hazardous situation that, if **not** avoided, could result in minor or moderate injury.



NOTICE is used to address practices **not** related to physical injury but could result in property damage.



indicates additional information that is **not** related to physical injury or property damage.

1.3 Supplemental directives



Read and follow all safety information and instructions to avoid possible injury or death.

Read and understand these instructions before installation or operation of this product.

Incorrect installation or operation of this product can lead to serious injury. The installation **must** comply with all applicable local or national codes, including the latest edition of the following standards:

U.S.A.

- ANSI/NFPA70, National Electrical Code (NEC)
- ANSI/NFPA 1192, Recreational Vehicles Code

Canada

- CSA C22.1, Parts I & II, Canadian Electrical Code
- CSA Z240 RV Series, Recreational Vehicles

2 GENERAL INFORMATION

Recommended Hardware and Supplies

No. 8 Self-tapping flat-head screws (3/4" to 1")	Min. 16-gauge stranded copper wire
Gasket or Sealer	Insulated wire connectors

Recommended Tools and hardware

Putty Knife or Scraper	Standard #2 Phillips Screwdriver
Cordless Drill with 1/8" Drill Bit	Pencil or Pen
Straight Edge	Measuring Tape
Waterproof Sealant	Utility Knife
16 #8 self-tapping flat-head screws (3/4"-1")	2 #8 flat-head screws (3/8")

Electrical/wiring information

- A minimum of 16-gauge stranded copper wire must be used.
- Insulated connectors must be used.
- Black wire = positive or fused; white wire = negative or ground.
- Fuse: 4 amp "slo-blo."

3 INTENDED USE

The Fan-tastic Vent™ is intended for use with the recreational vehicle (hereinafter referred to as "RV") for which it is supplied. The Fan-tastic Vent was designed to allow maximum airflow during the operation of vent fans while providing additional protection from the elements.

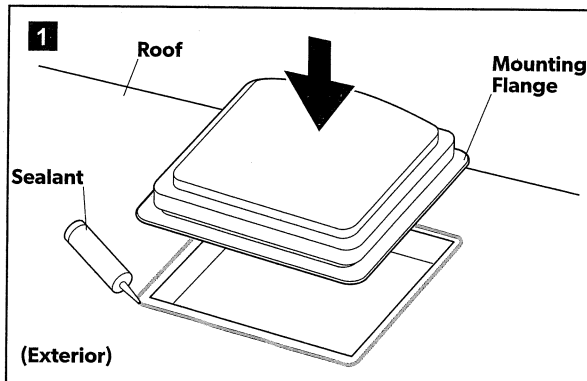
The manufacturer accepts no liability for damage in the following cases:

- Faulty assembly or connection.
- Damage to the product resulting from mechanical influences and excess voltage.
- Alterations to the product without express permission from the manufacturer.
- Use for purposes other than those described in the operating manual.

4 INSTALLATION

⚠ WARNING FALL HAZARD: Vent fans are normally located on the roof of an RV. It is inherently dangerous to climb onto the roof of an RV to perform installation, maintenance, or repairs on a vent fan. Take appropriate precautions when climbing onto the roof of an RV or when working on the roof of an RV. Failure to do so could result in a fall, causing serious injury or death.

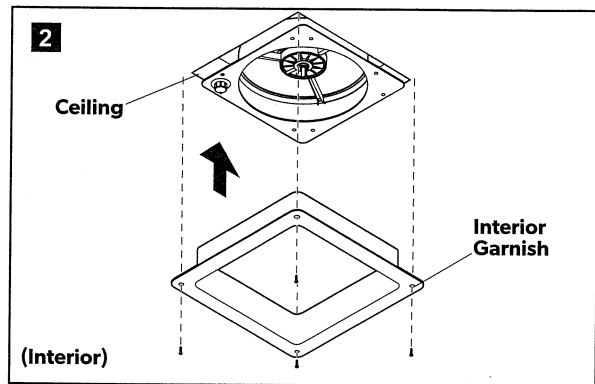
4.1 Vent roof mounting



- Position the vent over the opening in the RV roof.
- Use a gasket or compatible sealant between the mounting-flange bottom and the roof.
- Use 16 no. 8 self-tapping flat-head screws (3/4" – 1") to mount the vent to the roof.
- Apply additional sealant over the screws and at the mounting flange where it meets the roof.

i For rubber roofs, use EPDM-compatible roof sealant.

4.2 Fan mounting



- After the ceiling fan has been mounted and wired, install the interior garnish with the screws provided. The garnish may be trimmed for thinner roofs.

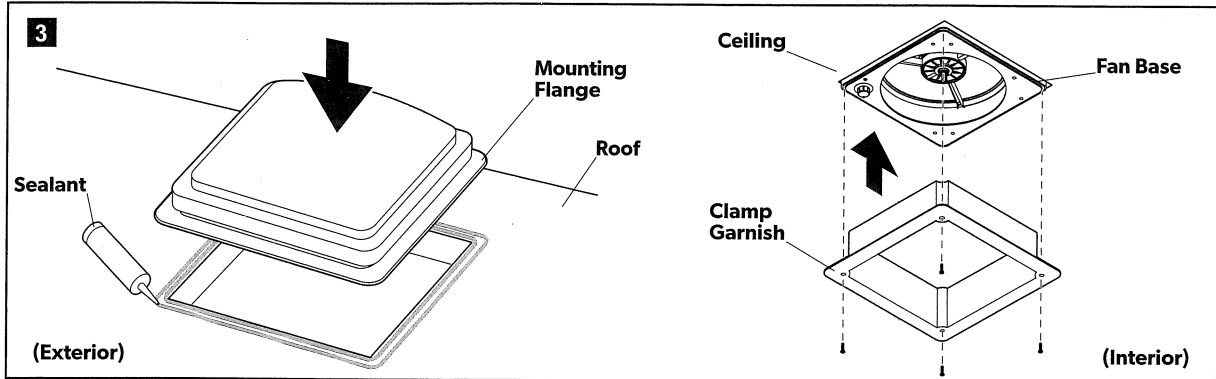
⚠ WARNING SHOCK HAZARD: This product is designed for 12 VDC use only. Do **not** connect the unit to 110 VAC. Failure to follow this instruction could result in death or serious injury.

⚠ CAUTION SHOCK HAZARD: Disconnect the 12 VDC power supply prior to installation. Failure to do so could result in mild-to-moderate injury.

NOTICE DAMAGE HAZARD: The Fan-tastic Vent is designed to run on filtered DC current. Do not connect this unit to unfiltered DC current. Doing so could result in circuit board failure.

- Make all electrical connections to an appropriate 12 VDC power source.

4.3 Clamp-fan mounting



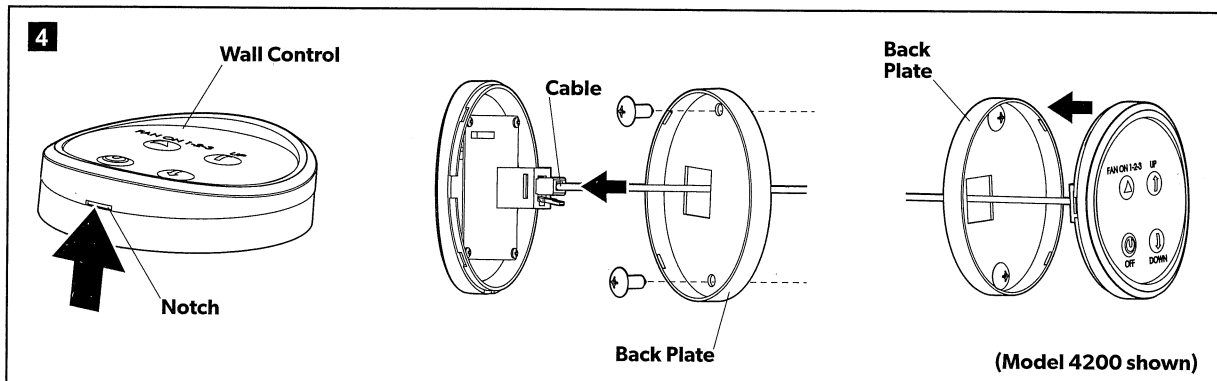
All Fan-tastic Vents are available in a "clamp fan" configuration. The clamp garnish screws into the fan base from inside the RV and trims the ceiling cut-out.

i RV mfg. clamp fans require mounting screws and correct-height garnish, predetermined by a qualified installer and Fan-Tastic Vent.

- Clamp fans use a double-bead of compatible sealant between the fan base mounting flange and the roof (no putty tape, butyl or gaskets are to be used with clamp fans).
- Using the four screws provided, mount the clamp garnish to the ceiling of the RV. Do not overtighten the screws.
- Torque all screws equally. Do not overtighten.

i For rubber roofs, use EPDM-compatible roof sealant.

4.4 Mounting the wall controls (RV mfg. models only)



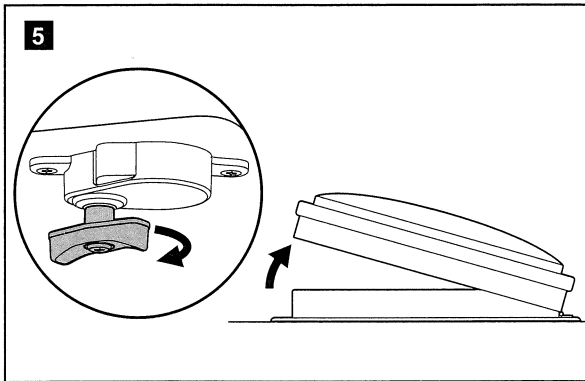
- Locate the notch on the bottom edge of the controller and use a screwdriver in a twisting motion to remove the back plate.
- Pull the RJ-11 controller cable (in the wall) through the square hole in the back plate (from the backside to the front) and plug it into the front half of the controller.
- Hold the back plate to the desired wall location and secure it with two recommended #8 x 3/8" screws through the two round holes in the back plate.
- Push the front half of the wall controller onto the back plate, being sure to align the connector plug with the square hole, and snap both halves together.

5 OPERATION

⚠ CAUTION Failure to obey the following instructions could result in injury or property damage:

- WATER DAMAGE/LEAK HAZARD:
 - Do **not** leave the vent lid open and unattended for extended periods of time, or under unusual weather conditions that may result in leakage and serious damage.
 - Do **not** use this product in inclement weather.
- Close all outside vents when using your Fan-Tastic Vent.
- Slightly open the windows on the shaded side of the RV to provide the most comfortable ambient air, even on hot days.
- i** Direct the airflow by opening a window. Try to position yourself between an open window and the fan for greatest airflow comfort.
- i** If driving while the vent is open, keep it fully open to avoid fluttering or closing unexpectedly.

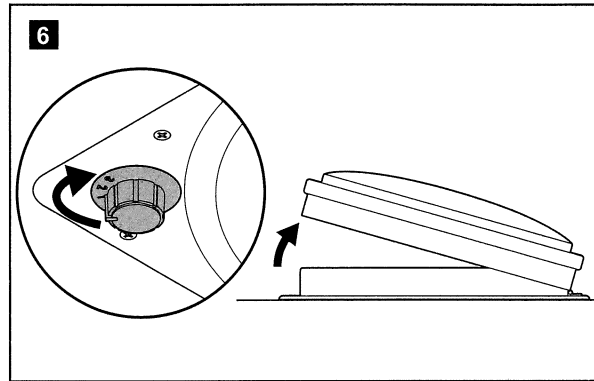
5.1 Manual lift vents



- To manually open or close the lid on your Fan-Tastic Vent, grasp the black hand-knob and turn it in the direction desired.

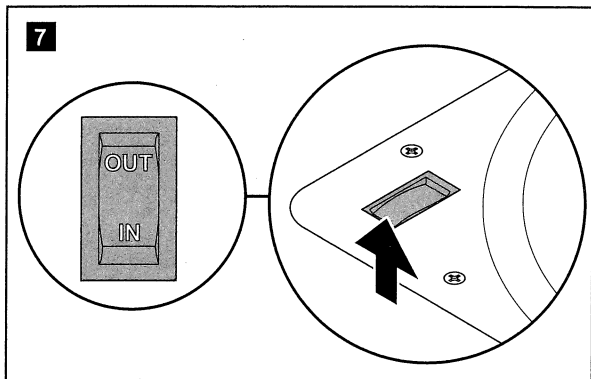
⚠ CAUTION PINCH HAZARD: Do not pull down on the knob. Doing so could damage your fan or cause physical injury.

5.2 Automatic lift vents



- Open the dome approximately 4" or more (the ceiling fan has a built-in safety switch that will not allow the fan motor to operate unless the dome is partially open.)
- Turn the three-speed knob to the desired performance level: 0-OFF, 1-LOW, 2-MEDIUM, 3-HIGH.
- For increased airflow, open the window or door farthest from the vent.

5.3 Operating the reverse switch

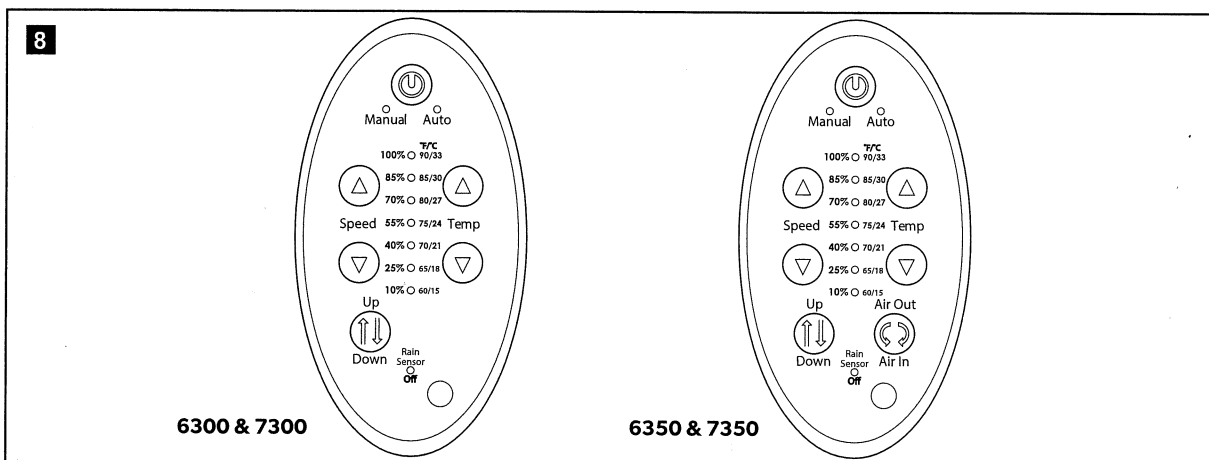


- Move the fan motor switch to the center position to turn the fan OFF. Wait for the fan blades to stop moving.
- Select the IN position on the switch to bring air from the roof area into your coach (pressurizes inside), or select the OUT position to bring air in through any openings into the coach, and expel the air out through the roof.

5.4 Operating the thermostat

- With the lid open, select the desired temperature or comfort level on the thermostat. The fan motor will start and stop automatically as the interior temperature of the coach exceeds or drops below the selected temperature level.




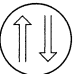


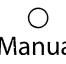

5.5 Model 6300, 6350, 7300, and 7350 premium remote and wall control



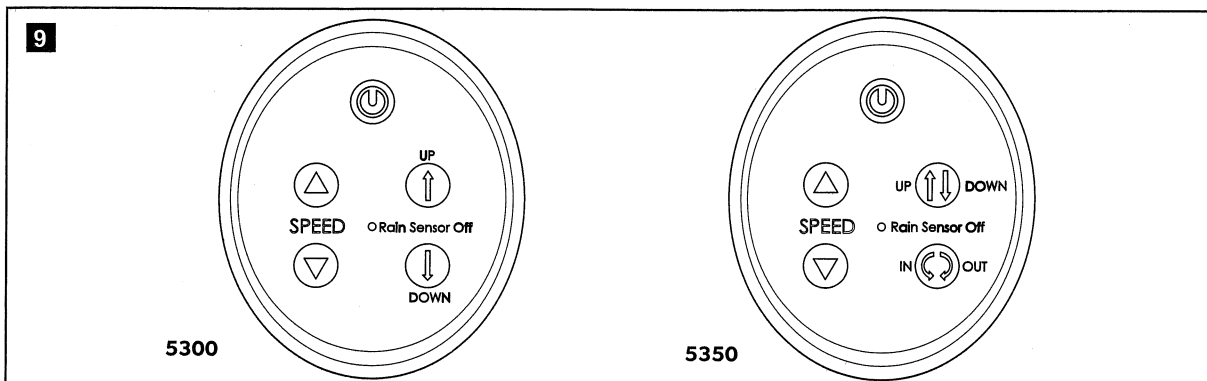
i Remote and wall-control operations are identical.

- To open the dome without running the fan, press the OFF button, then press the dome UP/DOWN button.
- The control will beep twice if a command is not allowed.
- Wireless remote-control models (7300 & 7350) will “sleep” or shut off 30 seconds after the last command, to preserve battery life. To “awaken” the controller, push any button on the controller, and it will show the last temperature and/or speed setting received. If the controller is manually shut off using the ON/OFF button, it will reset.




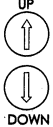


Fan

	Name	Function
	Fan Power ON/OFF	<ul style="list-style-type: none"> Press to turn ON the fan (this will start the fan in Auto mode). Press to turn OFF the fan (this will stop the fan and close the lid).
 Speed	Fan Speed	<ul style="list-style-type: none"> Press UP to increase the fan speed. Press DOWN to decrease the fan speed. <p>Pressing either button will change fan mode to Manual.</p> <p>These buttons work in Manual mode only. The fan has 13 speeds. Fan speed is indicated on the remote in % from 10% (low speed) to 100% (high speed). An LED will illuminate next to the % of fan speed. If two LEDs are illuminated, then the speed is halfway between the illuminated %. (for example: Both 85% and 100% LEDs are illuminated; the speed is approximately 93%).</p>
 Temp	Thermostat Temperature Setting: Fahrenheit/Celsius	<ul style="list-style-type: none"> Press UP to increase the Set Temperature. Press DOWN to decrease the Set Temperature. <p>Pressing either button will change fan mode to Auto.</p> <p>These buttons work in Auto mode only. The fan has 13 temperature settings; the temperature setting is indicated on the remote in degrees (60 °F–90 °F; 15 °C–30 °C). An LED will illuminate next to the degrees setting of the thermostat. If two LEDs are illuminated, the thermostat setting is halfway between the illuminated degrees. For example: If both the 85 °F (29 °C) and 90 °F (32 °C) LEDs are illuminated; the setting is approximately 88 °F (31 °C).</p>
 Up Down	Vent Lid UP/DOWN	<ul style="list-style-type: none"> When the vent lid is closed, press this button once to open the vent lid. When the vent lid is open, press this button once to close the lid. This will operate independently of the fan ON/OFF switch. <p>Pressing this button will not change the fan mode. (The rain sensor can be turned ON or OFF by pressing the button for three seconds.)</p>
 Air Out Air In	Air OUT/IN (Model 6350 & 7350)	<ul style="list-style-type: none"> In either Manual or Auto mode (when the vent lid is open), press this button once to reverse the fan blade direction. Press it again for the opposite direction. <p>Pressing the button will not change the fan mode.</p>
	Rain Sensor LED	<ul style="list-style-type: none"> This LED will illuminate when the rain sensor has been turned OFF. The rain sensor may be turned ON/OFF by pressing the Rain Sensor UP/DOWN button for three seconds.
	Manual Mode LED	<ul style="list-style-type: none"> This LED will illuminate when the controls are in Manual mode. Press the Speed UP/DOWN to enter Manual mode.
	Auto Mode LED	<ul style="list-style-type: none"> This LED will illuminate when the controls are in Auto mode. Press the Temp UP/DOWN to enter Auto mode.

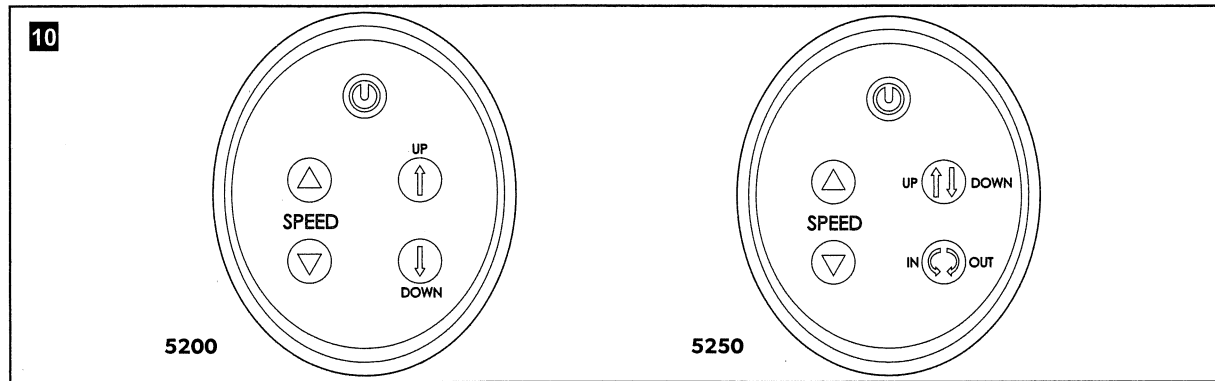
5.6 Model 5300, 5350 wall-mounted controls






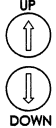

i When the fan is running: Closing the lid by pressing the UP/DOWN button shuts OFF the fan blade. Reopening the lid using the UP/DOWN button will revert the fan blade movement to its previous set speed. Using the ON/OFF button will not do this; the ON/OFF button resets the fan to normal operation.

Name	Function
 Fan Power ON/OFF	<ul style="list-style-type: none"> Press to turn ON the fan (this will start the fan on HIGH). Press to turn OFF the fan (this will stop the fan and close the lid).
 Fan Speed	<ul style="list-style-type: none"> Press UP to increase the fan speed. Press DOWN to decrease the fan speed. (The fan has 13 speeds, not including OFF.)
 Vent Lid OPEN/CLOSE (Model 5350)	<ul style="list-style-type: none"> When the vent lid is closed, press this button once to open the vent lid. When the vent lid is open, press this button once to close the lid. (The rain sensor can be turned ON or OFF by pressing this button for three seconds.)
 Vent Lid OPEN/CLOSE (Model 5300)	<ul style="list-style-type: none"> When the vent lid is closed, press the UP button once to open the vent lid. When the vent lid is open, press the DOWN button once to close the vent lid. (The rain sensor can be turned ON or OFF by pressing this button for three seconds.)
 Air OUT/IN (Model 5300)	<ul style="list-style-type: none"> When the vent lid is open, press this button once to reverse the fan blade direction; press it again for the opposite direction. Once pressed, the motor will slow and then reverse direction. If the button is pressed again during the reversing cycle, a double-beep will indicate the cycle is in progress. The function can only be changed after the reversing cycle is complete.
 Rain Sensor LED	<ul style="list-style-type: none"> This LED will illuminate when the rain sensor has been turned OFF at the wall control. The rain sensor can be turned ON or OFF by pressing the DOWN button for three seconds.

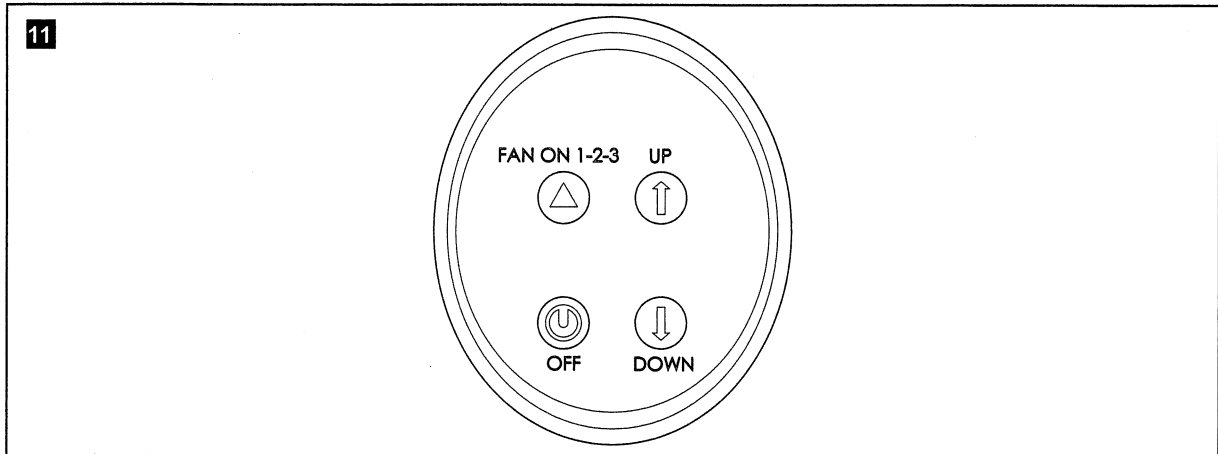
5.7 Model 5200, 5250 RJ-11 wall-mounted controls







i When the fan is running: Closing the lid by using the UP/DOWN button shuts OFF the fan blades. Reopening the lid by using the UP/DOWN button will revert the fan blade movement to its previous set speed. Using the ON/OFF button will not do this; the ON/OFF button resets the fan to normal operation.

Name	Function
 Fan Power ON/OFF	<ul style="list-style-type: none"> Press to turn ON the fan (this will start the fan on HIGH). Press to turn OFF the fan (this will stop the fan and close the lid).
 Fan Speed	<ul style="list-style-type: none"> Press to increase the fan speed. Press to decrease the fan speed. (The fan has 13 speeds, not including OFF.)
 Vent Lid OPEN/CLOSE (Model 5250)	<ul style="list-style-type: none"> When the vent lid is closed, press this button once to open the vent lid. When the vent lid is open, press this button once to close the lid.
 Vent Lid OPEN/CLOSE (Model 5200)	<ul style="list-style-type: none"> When the vent lid is closed, press the UP button once to open the lid. When the vent lid is open, press the DOWN button once to close the lid.
 Air OUT/IN (Model 5250)	<ul style="list-style-type: none"> When the vent lid is open, press this button once to reverse the fan blade direction; press it again for the opposite direction.

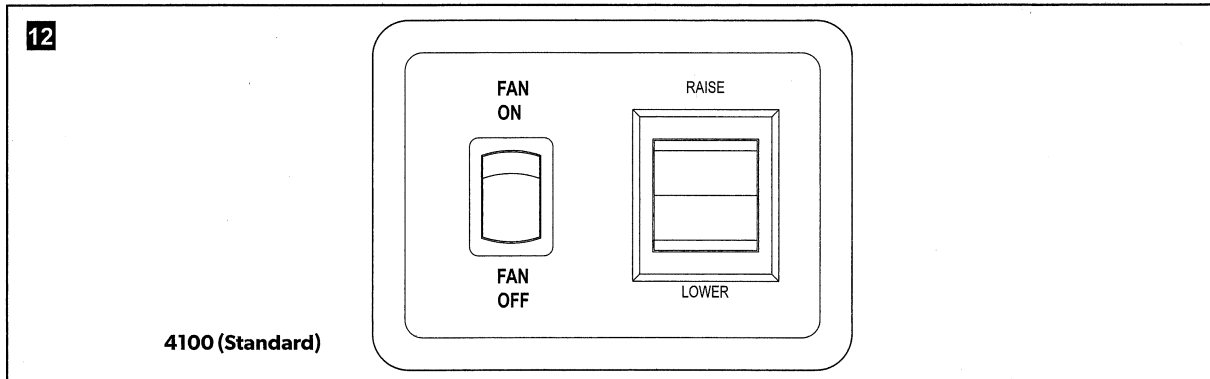
5.8 Model 4200 RJ-11 wall-mounted controls



i When the fan is running: Closing the lid by using the UP/DOWN button shuts the fan blades OFF. Re-opening the lid using the UP/DOWN button will revert the fan speed to its previous set speed. Using the ON/OFF button will not do this; the ON/OFF button resets the fan to normal operation.

Name	Function
FAN ON 1-2-3 	Fan ON 1-2-3 Press to start the fan. Each press increases the fan speed one level: <ol style="list-style-type: none"> 1. Turns the fan ON and opens the dome at lowest level speed 2. Changes fan to level-2 speed 3. Changes fan to level-3 speed 4. Returns fan to level-1 speed
 OFF	Fan Power OFF <ul style="list-style-type: none"> • Press to turn the power OFF; this will stop the fan and close the lid.
 UP  DOWN	Vent Lid OPEN/CLOSE <ul style="list-style-type: none"> • When the vent lid is closed, press this button once to open the lid. • When the vent lid is open, press this button once to close the lid.

5.9 Model 4100, 4150, 4175



- Activate the fan by preselecting 1-LOW, 2-MEDIUM or 3-HIGH, on the fan-blade speed switch.
- On the wall control, press the RAISE/LOWER switch pad. Select the RAISE position and press it until the dome (lid) reaches the desired height, then release the switch pad. At full-open, the dome lift motor will stall; release the switch pad **immediately!** Select the LOWER position and press it until the lid lowers to the desired height, then release the pad. At fully closed, the dome lift motor will stall; release the switch pad **immediately!**

NOTICE DAMAGE HAZARD: Continuing to press the RAISE/LOWER pad after the dome is open or closed will cause damage to the lift system.

- When the fan is equipped with a fan blade motor-reversing switch, preselect either OUT or IN on the switch; the center position is OFF (neutral position). As the dome opens and reaches approximately 4", the fan blade turns on to the preselected speed.
- To reverse the fan blade motor while the system is in operation, select the center OFF (neutral) position and allow the fan blade to stop completely. Once stopped, select the opposite direction and restart the motor.

i OUT (Exhaust mode) pulls fresh air in through a slightly open window or door while expelling hot, stale, dusty air out to the roof area. IN (Intake mode) draws air into the coach from the roof area and effectively pressurizes the coach if all windows, doors and other vents are closed.

- When the fan is equipped with a built-in thermostat, preselect a comfort setting from deep blue to deep red on the thermostat dial (22 °F – 123 °F; –6 °C – 51 °C). The fan motor will turn ON or OFF, based on the interior ambient temperature when compared to the thermostat setting. When the thermostat temperature is "satisfied," the fan motor will turn OFF and the lid will stay open. When the thermostat calls for cooling, the fan blade motor will activate automatically. The lid must be open at least 4" and OUT or IN must be selected (not the center OFF position). The ON/OFF switch on the wall controller next to the RAISE/LOWER switch must be in the ON position before the thermostat can activate the fan blade.

5.10 Model 3300, 3350

- Turn the three-speed knob to the desired speed (0-OFF, 1-LOW, 2-MEDIUM, or 3-HIGH).
- Select UP to raise the dome lid or DOWN to close the lid from the mini-rocker switch located near the lift motor.
- When equipped with a fan blade ON/OFF switch (Model 3300), select ON or OFF. When a fan is equipped with a fan blade motor-reversing switch (Model 3350), preselect either OUT, IN, or the center OFF position on the switch. As the dome opens and reaches approximately 4", the fan blade turns on to its preselected speed and direction. When the lid closes, the fan motor automatically turns OFF. Any time you wish to reverse the fan blade motor while the system is in operation, select the center OFF (neutral) position and allow the fan blade to stop completely. Once stopped, you may safely select the opposite direction to restart the motor.

i OUT (Exhaust mode) pulls clean fresh air in through a slightly open window or door while expelling hot, stale, stuffy air out to the roof area. IN (Intake mode) draws air into the coach from the roof area and effectively pressurizes the coach if all windows, doors and other vents are closed.

- These two models are equipped with a built-in thermostat. Preselect a comfort setting from deep blue to deep red on the thermostat dial (22 °F– 123 °F; –6 °C– 51 °C). The fan motor will turn ON or OFF, based on the interior ambient temperature compared to the thermostat setting. When the thermostat temperature is "satisfied," the fan motor will turn OFF and the lid will stay open. When the thermostat calls for cooling, the fan blade motor automatically activates. The lid must be open at least 4" and OUT or IN must be selected and not the center OFF position (Model 3350). The ON/OFF switch on the fan must be in the ON position (Model 3300) before the thermostat can activate the fan blade.
- Both models are equipped with a rain sensor. When the lid is open and moisture contacts the sensor, the lid closes and disengages the fan blade motor. When the rain sensor dries, it will not automatically re-open the lid. Manually opening the lid by using the lift-motor knob will bypass the rain sensor with fan operation, reverting to the setting prior to the sensor's activation. When the rain sensor has been overridden by manually opening the lid, the rain sensor will become active again once it has dried.

5.11 Model 4201, 4251, 4301, 4351

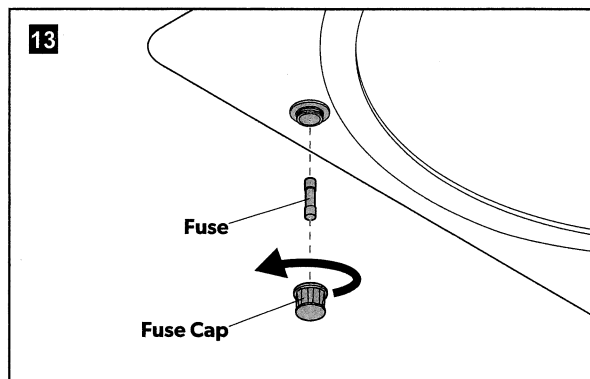
- Turn the three-speed knob to the desired performance level (0-OFF, 1-LOW, 2-MEDIUM or 3-HIGH). This will activate the fan.
- Select UP to raise the dome lid or DOWN to lower the lid from the remote wall-mounted switch.
- When equipped with a fan blade ON/OFF Switch (Model 4201/4301), select ON or OFF. When a fan is equipped with a fan blade motor-reversing switch (Model 4251/4351), preselect either OUT, IN, or the center OFF (neutral) position on the switch. As the dome opens and reaches approximately 4", the fan blade turns on to a preselected speed and direction. When the lid closes, the fan blade motor automatically turns OFF. Anytime you reverse the fan blades while the system is in operation, select the center OFF (neutral) position and allow the fan blades to stop completely. Once stopped, you may safely select the opposite direction to restart the motor.

i OUT (Exhaust mode) pulls fresh air in through a slightly open window or door while expelling hot, stale, stuffy air out to the roof area. IN (Intake mode) draws air into the coach from the roof area and effectively pressurizes the coach if all windows, doors and other vents are closed.

- Both models 4301 & 4351 equipped with a rain sensor. When the lid is open and moisture contacts the sensor, the lid closes and disengages the fan blade motor. When the rain sensor dries, it will not automatically re-open the lid. Manually opening the lid by using the lift-motor knob will bypass the rain sensor with fan operation, reverting to the setting prior to the sensor's activation. When the rain sensor has been overridden by manually opening the lid, the rain sensor will become active again once it has dried.

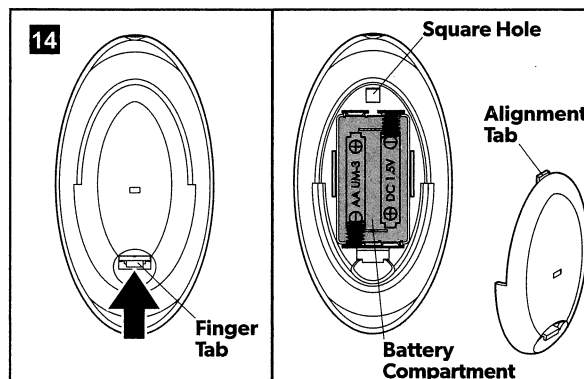
6 MAINTENANCE

6.1 Replacing the fuse



- Locate the black cap on the face of the screen assembly. Twist the cap in a counter-clockwise direction (from right to left) 1/4 to 1/2 turn, and gently pull down on the cap. The cap should come free with the fuse attached to the backside.
- Inspect the fuse to see if the wire inside the glass is broken and replace if necessary. Be sure to use only a 4 amp "slo-blo" fuse.
- Place one end of the new fuse into the backside of the fuse-holder cap and gently push the other end of the fuse all the way up inside the fuse holder.
- Screw the black fuse cap back into place by turning in a clockwise direction (left to right) until snug (1/4 to 1/2 turn), and release.

6.2 Replacing batteries in the 7300/7350 Remote Control



- To remove the battery compartment cover located on the rear of the remote, pull back on the finger tab and lift.
- Match the (+) and (-) markings on the batteries to the (+) and (-) markings inside the battery compartment.
- To close the battery compartment cover, place the alignment tab located opposite the finger tab into the square hole on the back of the remote. Push the cover down until the finger tab clicks into place.

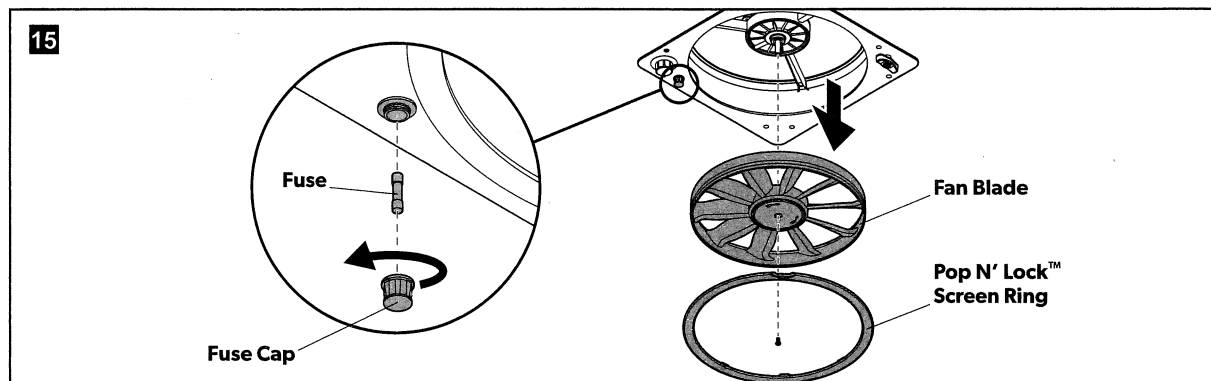
6.3 Fixing a stuck lid

NOTICE DAMAGE HAZARD: If the EPDM rubber dome seal is damaged or torn, contact Dometic for a replacement.

- Open the dome (lid) all the way.
- Place a liberal amount of denatured or rubbing alcohol on a clean rag and clean the underside of the lid and the EPDM rubber seal.
- If available, apply a water-based (not petroleum-based) protectant to the inside of the dome where the dome and seal meet. Allow the protectant to dry and buff the lid with a soft cloth to a high sheen.
- Use a clean rag, paper towel or foam trim brush to apply an even coating of 100% silicone to the entire top surface of the EPDM rubber dome seal to prevent it from sticking to the lid.

i Wipe excess fluid off hands and wash thoroughly with soap and water.

6.4 Cleaning the fan



- Remove the fuse. Remove the Pop N' Lock™ screen ring by grasping the finger tab with one hand and pulling straight down. Use your free hand to brace against the screen assembly (control panel) to prevent breaking the Pop N' Lock screen. Removal of the Pop N' Lock may be difficult at first, but will get easier with repeated removal.
 - Use one hand to hold the fan blade to prevent it from turning and remove the Phillips-head screw from the center hub face of the fan blade. With the fan-blade screw removed, grasp the fan blade with two hands on opposite sides (for example, the 3:00 and 9:00 positions) and pull down firmly. It may be necessary to wiggle the fan blade up-and-down and side-to-side until it slides off the motor shaft.
 - Clean the screen insert (Pop N' Lock) and fan blade with window cleaner or non-abrasive dish soap and warm water. You may also place the screen insert and fan blade in the top rack of an automatic dishwasher.
- i** Optional: Once the screen and blade are clean and dry, wipe or spray a water-based (not petroleum-based) protectant on the screen and blade, and buff to high gloss. This minimizes dust and dirt build-up and eases future cleaning.
- Re-assemble the fan by reversing the appropriate steps above.

LIMITED WARRANTY

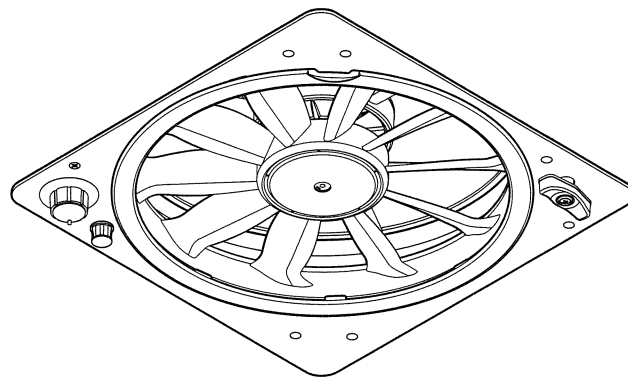
LIMITED WARRANTY AVAILABLE AT WWW.DOMETIC.COM/WARRANTY.
IF YOU HAVE QUESTIONS OR TO OBTAIN A COPY OF THE LIMITED WARRANTY FREE OF CHARGE, CONTACT:

DOMETIC CORPORATION
CUSTOMER SUPPORT CENTER
1120 NORTH MAIN STREET
ELKHART, INDIANA, USA 46514
+1-866-544-4881 OPT 4

DOMETIC

FAN-TASTIC VENT

VENTILATEUR



Ventilateurs et contrôleurs Fan-Tastic Vent™

FR

Fan-Tastic Vent

Manuel d'installation et d'utilisation

ADRESSE – AMÉRIQUE DU NORD

ÉTATS-UNIS ET CANADA

Bureau de service
Dometic Corporation
1120 North Main Street
Elkhart, IN 46514

Liste des centres de service et des revendeurs

Visitez : www.dometic.com

Lisez attentivement ces instructions. Ces instructions DOIVENT rester avec ce produit.

SOMMAIRE

1	Explication des symboles et consignes de sécurité	18
2	Informations générales	19
3	Indication	19
4	Installation	20
5	Mode d'emploi	22
6	Entretien	30

1 EXPLICATION DES SYMBOLES ET CONSIGNES DE SÉCURITÉ

Ce manuel contient des consignes de sécurité et des instructions pour aider l'utilisateur à éliminer ou réduire le risque d'accidents, de blessures et de dégâts matériels.

1.1 Reconnaître les consignes de sécurité



C'est le symbole d'alerte à la sécurité. Il signale des risques de blessures physiques. Obéir à tous les messages de sécurité qui suivent ce symbole pour éviter les risques de blessures ou de mort.

1.2 Comprendre les mots-indicateurs

Un mot-indicateur identifie les messages de sécurité et les messages liés aux dégâts matériels, et signale le degré ou niveau de gravité du danger.



WARNING indique une situation dangereuse qui, si elle **n'est pas** évitée, peut causer la mort ou des blessures graves.



ATTENTION indique une situation dangereuse qui, si elle **n'est pas** évitée, peut causer des blessures mineures ou modérées.



AVIS est utilisé pour signaler des pratiques **non** liées à une blessure physique, mais qui peuvent causer des dégâts matériels.



fournit des renseignements additionnels **sans** rapport avec des blessures physiques ou des dégâts matériels.

1.3 Directives supplémentaires



Lire et respecter toutes les consignes de sécurité et les instructions pour éviter des blessures, voire la mort. Lire et comprendre ces instructions avant d'installer ou d'utiliser ce produit. L'installation ou l'utilisation incorrecte de ce produit peut causer des blessures graves. L'installation **doit** se conformer à tous les codes locaux ou nationaux applicables, y compris la toute dernière édition des normes suivantes :

États-Unis

- ANSI/NFPA70, Code national de l'électricité (CNE)
- ANSI/NFPA 1192, Code des véhicules récréatifs

Canada

- CSA C22.1, Parties I et II, Code canadien de l'électricité
- CSA Z240 RV Series, véhicules récréatifs

2 INFORMATIONS GÉNÉRALES

Quincaillerie et consommables recommandés

Vis autotaraudeuses à tête plate n° 8 (19 à 25 mm)	Fil de cuivre multibrin calibre 16 min.
Joint ou mastic	Connecteurs de fils isolés

Outils et quincaillerie recommandés

Couteau à mastiquer ou grattoir	Tournevis cruciforme n° 2 standard
Perceuse sans fil avec mèche 1/8 po	Crayon ou stylo
Règle droite	Ruban
Mastic étanche	Couteau universel
16 vis autotaraudeuses à tête plate n° 8 (19 à 25 mm)	2 vis à tête plate n° 8 (9,5 mm)

Électricité/Informations de câblage

- Un fil de cuivre multibrin de calibre 16 minimum doit être utilisé.
- Des connecteurs isolés doivent être utilisés.
- Fil noir = positif ou avec fusible; fil blanc = négatif ou terre.
- Fusible : 4 A, fusion lente.

3 INDICATION

Le Fan-tastic Vent™ est indiqué pour une utilisation avec le véhicule récréatif (ci-après appelé « VR ») pour lequel il est fourni. Le Fan-tastic Vent a été conçu pour permettre une circulation d'air maximum durant le fonctionnement de ventilateurs à évent tout en apportant une protection additionnelle face aux éléments.

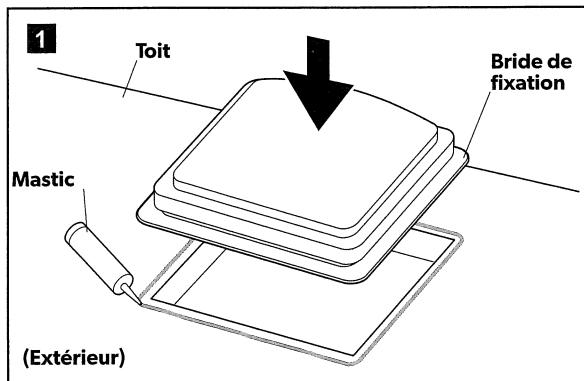
Le fabricant n'endosse aucune responsabilité en cas de dommages dans les cas suivants :

- Assemblage ou branchement incorrect.
- Endommagement du produit résultant des influences mécaniques et d'une tension excessive.
- Altération du produit sans la permission expresse du fabricant.
- Utilisation à d'autres fins que celles décrites dans le manuel d'utilisation.

4 INSTALLATION

⚠ WARNING RISQUE DE CHUTE : Les ventilateurs à évent se trouvent normalement sur le toit des VR. Il est intrinsèquement dangereux de monter sur le toit d'un VR pour installer, entretenir ou réparer un ventilateur à évent. Prendre les précautions appropriées en montant sur le toit ou en travaillant sur le toit d'un VR. Respecter cette consigne, sinon cela pourrait mener à une explosion qui pourrait causer des blessures graves ou la mort.

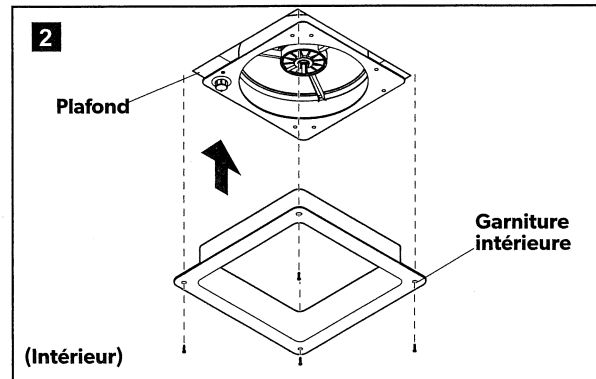
4.1 Installation de l'évent sur le toit



- Positionner l'évent sur l'ouverture dans le toit du VR.
- Utiliser un joint ou un mastic compatible entre le dessous de la bride de montage et le toit.
- Utiliser 16 vis autotaraudeuses à tête plate n° 8 (19 à 25 mm) pour monter l'évent sur le toit.
- Appliquer du mastic sur les vis et sur la bride de fixation au point de contact avec le toit.

i Pour les toits en caoutchouc, utiliser un mastic de toit compatible avec l'EPDM.

4.2 Installation du ventilateur



- Une fois le ventilateur de plafond monté et câblé, installer la garniture intérieure avec les vis fournies. La garniture peut être coupée sur la hauteur pour les toits plus minces.

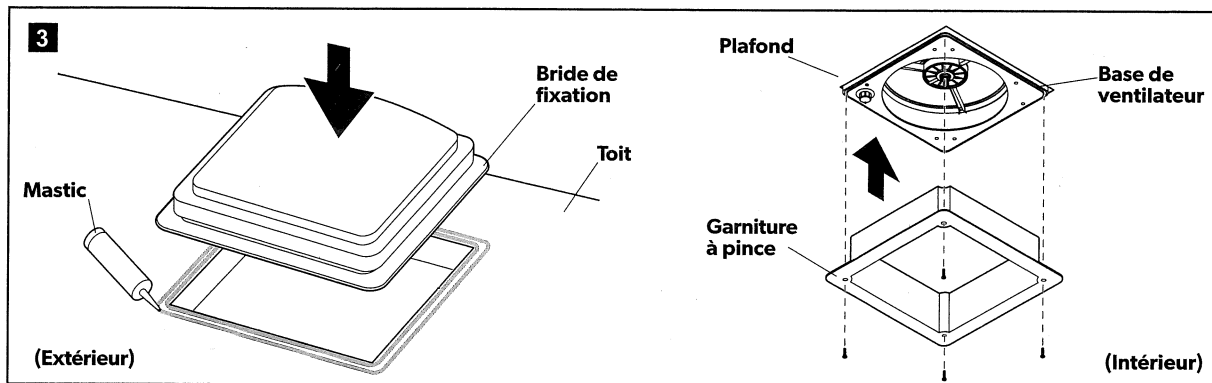
⚠ AVERTISSEMENT RISQUE DE CHOC ÉLECTRIQUE : Ce produit a été conçu pour une utilisation sur du 12 V c.c. uniquement. **Ne pas** brancher l'appareil sur du 110 V c.a. Respecter cette instruction, sinon il y aurait risque de blessures graves ou de mort.

⚠ ATTENTION RISQUE DE CHOC ÉLECTRIQUE : Débrancher l'alimentation 12 V c.c. avant l'installation, sinon il y aurait risque de blessures légères à modérées.

AVIS RISQUE DE DOMMAGES : Le Fan-tastic Vent a été conçu pour fonctionner sur courant continu filtré. Ne pas brancher cet appareil sur courant continu non filtré, sinon il y aurait risque d'endommager la carte de circuits imprimés.

- Effectuer tous les branchements électriques sur une alimentation 12 V c.c. appropriée.

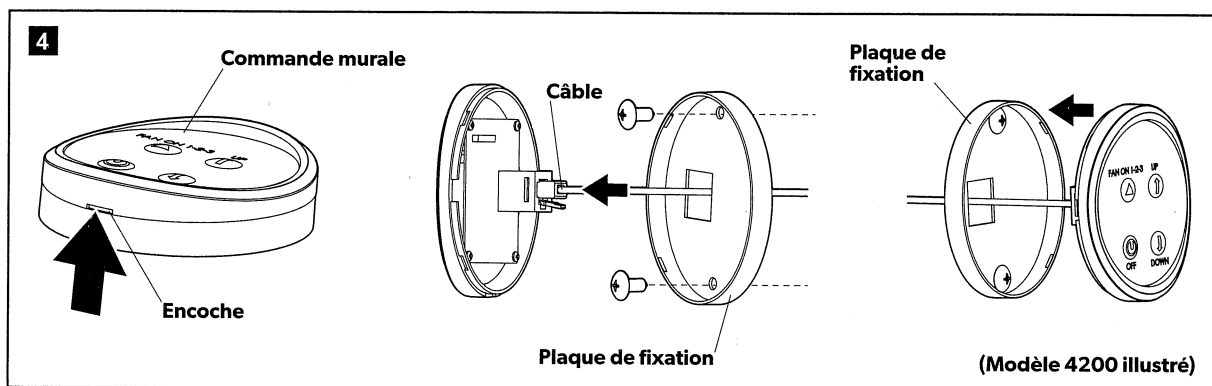
4.3 Installation du ventilateur à pince



Tous les ventilateurs Fan-tastic Vent sont disponibles dans une configuration « à pince ». La garniture à pince se visse dans la base du ventilateur depuis l'intérieur du VR et ferme hermétiquement la découpe dans le plafond.

- i** Les ventilateurs à pince pour VR exigent des vis de fixation et une garniture de hauteur correcte, prédéterminées par un installateur qualifié et un Fan-Tastic Vent.
- Les ventilateurs à pince utilisent un mastic compatible entre la bride de fixation de la base du ventilateur et le toit. (Ne pas utiliser de ruban mastic, de ruban de butyle ou de joint avec les ventilateurs à pince.)
- À l'aide des quatre vis fournies, monter la garniture à pince sur le plafond du VR. Ne pas trop serrer les vis.
- Serrer toutes les vis également. Ne pas trop serrer.
- i** Pour les toits en caoutchouc, utiliser un mastic de toit compatible avec l'EPDM.

4.4 Installation des commandes murales (modèles pour VR seulement)



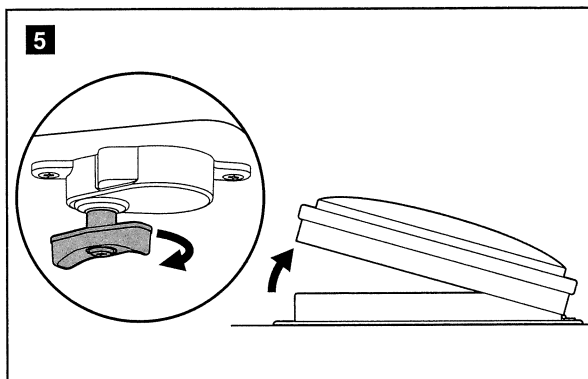
- Localiser l'encoche sous le contrôleur et, avec un tournevis, tourner pour enlever la plaque de fixation.
- Tirer le câble du contrôleur RJ-11 (dans le mur) par le trou carré de la plaque de fixation (de l'arrière à l'avant) et le brancher sur la moitié avant du contrôleur.
- Tenir la plaque de fixation à l'emplacement souhaité sur le mur et la fixer avec deux vis #8 x 9,5 mm recommandées dans les deux trous ronds de la plaque de fixation.
- Pousser la moitié avant du contrôleur mural sur la plaque de fixation, en veillant à aligner le connecteur sur le trou carré et enclencher les deux moitiés l'une dans l'autre.

5 MODE D'EMPLOI

⚠ ATTENTION Le non-respect des instructions suivantes pourrait entraîner des blessures ou des dommages matériels :

- RISQUE DE DÉGÂTS DES EAUX/FUITE AU TOIT :
 - **Ne pas** laisser le couvercle de l'évent ouvert et sans surveillance pendant des périodes prolongées ou dans des conditions météorologiques inhabituelles pouvant provoquer des fuites et de graves dégâts.
 - **Ne pas** utiliser ce produit par mauvais temps.
- Fermer tous les événements extérieurs lorsque le Fan-Tastic Vent est utilisé.
- Ouvrir légèrement les fenêtres côté ombre du VR pour fournir l'air ambiant le plus confortable, même les journées chaudes.
- i** Diriger la circulation d'air en ouvrant une fenêtre. Essayer de se positionner entre une fenêtre ouverte et le ventilateur pour bénéficier du plus grand confort.
- i** En cas de conduite avec l'évent ouvert, le maintenir grand ouvert pour éviter les battements ou une fermeture intempestive.

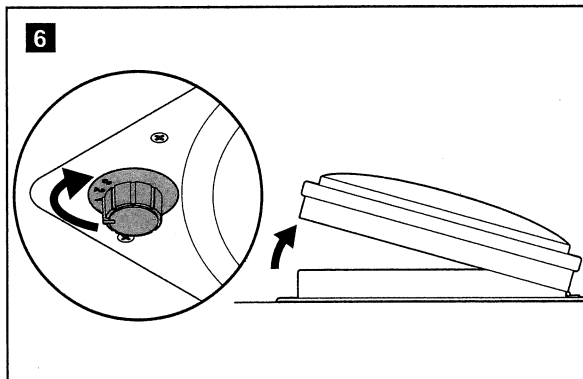
5.1 Événements à ouverture manuelle



- Pour ouvrir ou fermer manuellement le couvercle de votre Fan-Tastic Vent, saisir le bouton noir et le tourner dans la direction désirée.

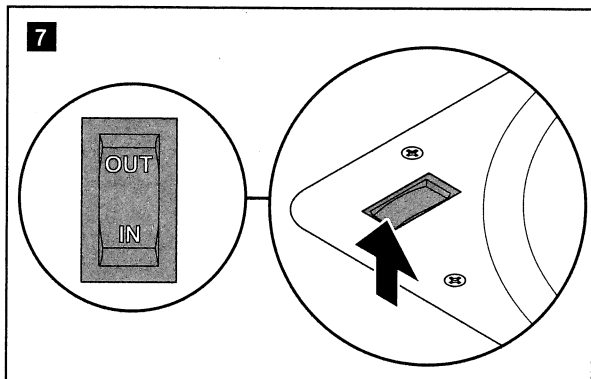
⚠ ATTENTION RISQUE DE PINCEMENT : Ne pas tirer sur le bouton. Cela pourrait endommager le ventilateur ou causer des blessures physiques.

5.2 Événements à ouverture automatique



- Ouvrir le dôme à 10 cm environ, ou plus. (Le ventilateur de plafond a un interrupteur de sécurité intégré qui ne permet pas au moteur du ventilateur de fonctionner sans le dôme partiellement ouvert.)
- Tourner le sélecteur de vitesse sur un des trois niveaux de performance souhaité : 0-ARRÊT, 1-BAS, 2-MOYEN, 3-HAUT.
- Pour augmenter la circulation d'air, ouvrir la fenêtre ou la porte la plus loin de l'évent.

5.3 Fonctionnement du sélecteur d'inversion

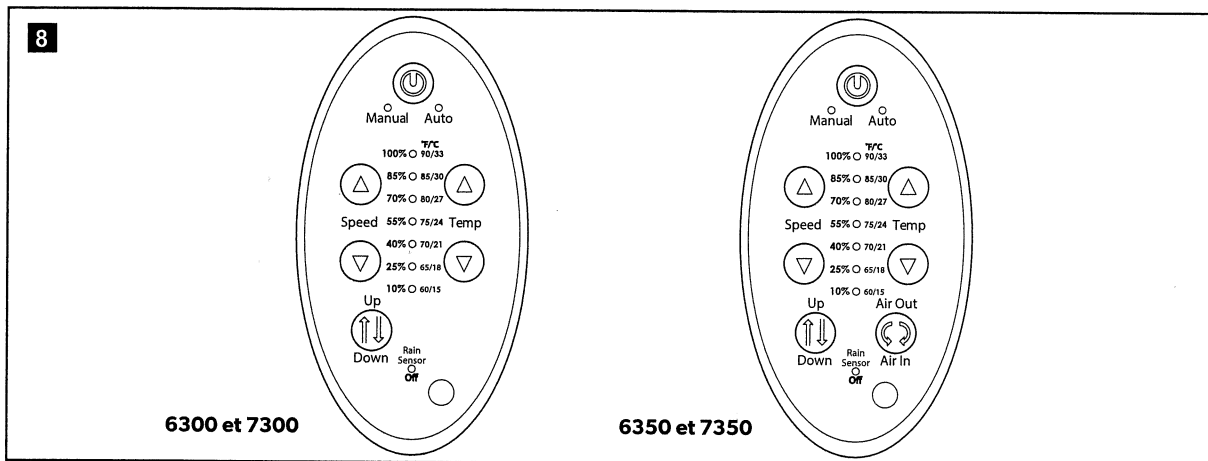


- Placer l'interrupteur du moteur du ventilateur en position centrale pour éteindre le ventilateur. Attendre l'arrêt des pales du ventilateur.
- Sélectionner la position IN du sélecteur pour amener l'air de la zone du toit dans le VR (pressurisation de l'intérieur) ou sélectionner la position OUT pour faire entrer l'air par toutes les ouvertures du VR et expulser l'air par le toit.

5.4 Utilisation du thermostat

- Avec le couvercle ouvert, sélectionner la température ou le niveau de confort souhaité sur le thermostat. Le moteur du ventilateur démarre et s'arrête automatiquement à mesure que la température intérieure du VR dépasse ou chute en dessous du niveau de température sélectionné.






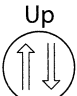

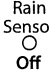


5.5 Commande murale et télécommande des modèles 6300, 6350, 7300 et 7350



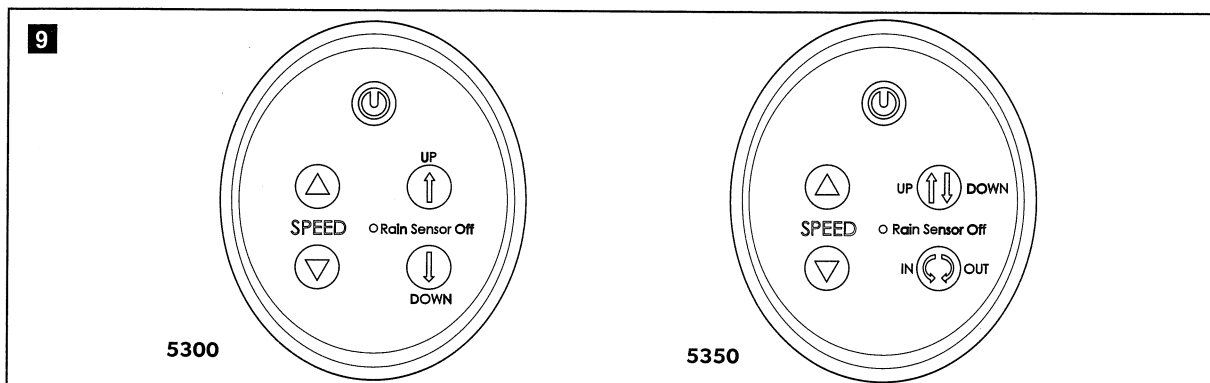
i Le fonctionnement des deux commandes est identique.

- Pour ouvrir le dôme sans faire tourner le ventilateur, appuyer sur le bouton Marche/Arrêt, puis appuyer sur le bouton Up/Down du dôme.
- La commande émet deux bips si une commande n'est pas autorisée.
- Les modèles de télécommande sans fil (7300 et 7350) passent en mode « veille » ou s'arrêtent 30 secondes après la dernière commande pour économiser la pile. Pour « réveiller » le contrôleur, appuyer sur tout bouton du contrôleur, qui affichera le dernier relevé de température et/ou de vitesse reçu. Si le contrôleur est manuellement arrêté via le bouton de marche/arrêt, il se remettra à zéro.




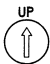



Ventilateur

	Nom	Fonction
	Marche/Arrêt du ventilateur	<ul style="list-style-type: none"> Appuyer pour mettre le ventilateur en marche (le démarrage du ventilateur se fera en mode Automatique). Appuyer pour éteindre le ventilateur (le ventilateur s'arrêtera et le couvercle se fermera).
 Speed 	Vitesse du ventilateur	<ul style="list-style-type: none"> Appuyer sur la flèche vers le haut pour augmenter la vitesse du ventilateur. Appuyer sur la flèche vers le bas pour diminuer la vitesse du ventilateur. <p>Appuyer sur l'un ou l'autre bouton pour faire basculer le mode du ventilateur à Manual.</p> <p>Ces boutons fonctionnent en mode Manuel seulement. Le ventilateur a 13 vitesses. La vitesse du ventilateur est indiquée sur la télécommande en pourcentage, de 10 % (basse vitesse) à 100 % (grande vitesse). Un voyant s'allume à côté du pourcentage de vitesse du ventilateur. Si deux voyants s'allument, la vitesse est à mi-distance entre les pourcentages allumés (exemple : si les voyants 85 % et 100 % sont allumés, la vitesse est d'approximativement 93 %).</p>
 Temp 	Réglage de température du thermostat : Fahrenheit/Celsius	<ul style="list-style-type: none"> Appuyer sur la flèche vers le haut pour augmenter la température de consigne. Appuyer sur la flèche vers le bas pour diminuer la température de consigne. <p>Appuyer sur l'un ou l'autre bouton pour faire basculer le mode du ventilateur à Auto.</p> <p>Ces boutons fonctionnent seulement en mode Automatique. Le ventilateur a 13 réglages de température; le réglage de température est indiqué sur la télécommande en degrés (60 à 90 °F; 15 à 30 °C). Un voyant s'allume à côté du niveau de température du thermostat. Si deux voyants sont allumés, le réglage du thermostat est à mi-chemin entre les niveaux de température allumés. Exemple : si les voyants 85 °F (29 °C) et 90 °F (32 °C) sont allumés, la température de consigne est d'environ 88 °F (31 °C).</p>
 Up Down	Ouverture/Fermeture du couvercle de l'événement	<ul style="list-style-type: none"> Lorsque le couvercle de l'événement est fermé, appuyer une fois sur ce bouton pour l'ouvrir. Lorsque le couvercle de l'événement est ouvert, appuyer une fois sur ce bouton pour le fermer. Cette commande fonctionne indépendamment de l'interrupteur de marche/arrêt du ventilateur. <p>Une pression sur ce bouton ne changera pas le mode du ventilateur. (Le capteur de pluie peut être activé ou désactivé en appuyant sur ce bouton pendant trois secondes.)</p>
 Air Out Air In	Entrée/Sortie d'air (modèles 6350 et 7350)	<ul style="list-style-type: none"> En mode Manuel ou Automatique (lorsque le couvercle de l'événement est ouvert), appuyer une fois sur ce bouton pour inverser le sens de rotation des pales du ventilateur. Appuyer une nouvelle fois pour inverser la direction. <p>Une pression sur ce bouton ne changera pas le mode du ventilateur.</p>
	Voyant du capteur de pluie	<ul style="list-style-type: none"> Ce voyant s'allume quand le capteur de pluie est désactivé. Le capteur de pluie peut être activé ou désactivé en appuyant sur le bouton Rain Sensor Up/Down pendant trois secondes.
	Voyant du mode Manuel	<ul style="list-style-type: none"> Ce voyant s'allume quand les commandes sont en mode Manuel. Appuyer sur les flèches Speed pour accéder au mode Manuel.
	Voyant du mode Automatique	<ul style="list-style-type: none"> Ce voyant s'allume quand les commandes sont en mode Automatique. Appuyer sur les flèches Temp pour accéder au mode Automatique.

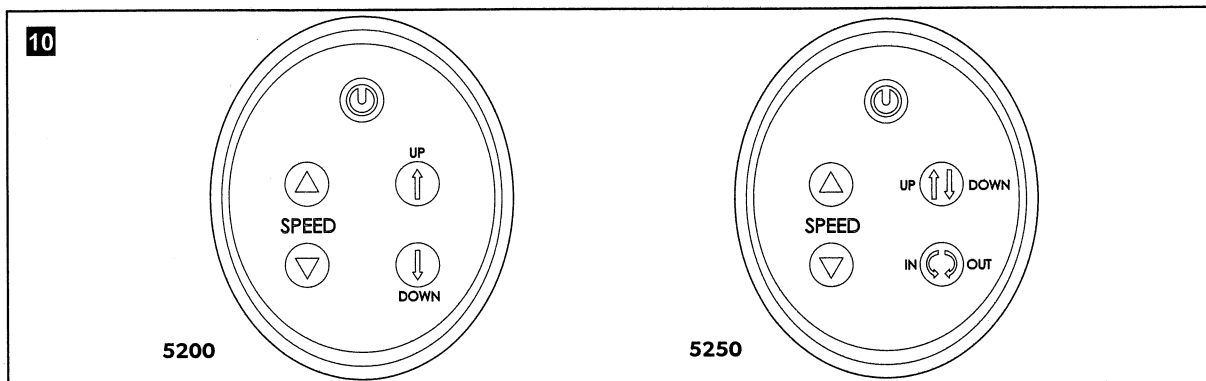
5.6 Commandes murales des modèles 5300 et 5350



i Lorsque le ventilateur fonctionne : la fermeture du couvercle en appuyant sur les boutons UP/DOWN arrête le ventilateur. La réouverture du couvercle à l'aide des boutons UP/DOWN remet le ventilateur en marche à sa vitesse de consigne précédente. L'utilisation du bouton de marche/arrêt n'aura pas cet effet; ce bouton rétablit le fonctionnement normal du ventilateur.

Nom	Fonction
	<p>Marche/Arrêt du ventilateur</p> <ul style="list-style-type: none"> Appuyer pour mettre le ventilateur en marche (le démarrage du ventilateur se fera à grande vitesse). Appuyer pour éteindre le ventilateur (le ventilateur s'arrêtera et le couvercle se fermera).
	<p>Vitesse du ventilateur</p> <ul style="list-style-type: none"> Appuyer sur la flèche vers le haut pour augmenter la vitesse du ventilateur. Appuyer sur la flèche vers le bas pour diminuer la vitesse du ventilateur. (Le ventilateur a 13 vitesses, à l'exclusion de l'arrêt.)
	<p>Ouverture/Fermeture du couvercle de l'événement (modèle 5350)</p> <ul style="list-style-type: none"> Lorsque le couvercle de l'événement est fermé, appuyer une fois sur ce bouton pour l'ouvrir. Lorsque le couvercle de l'événement est ouvert, appuyer une fois sur ce bouton pour le fermer. (Le capteur de pluie peut être activé ou désactivé en appuyant sur ce bouton pendant trois secondes.)
 	<p>Ouverture/Fermeture du couvercle de l'événement (modèle 5300)</p> <ul style="list-style-type: none"> Lorsque le couvercle de l'événement est fermé, appuyer une fois sur le bouton UP pour l'ouvrir. Lorsque le couvercle de l'événement est ouvert, appuyer une fois sur le bouton DOWN pour le fermer. (Le capteur de pluie peut être activé ou désactivé en appuyant sur ce bouton pendant trois secondes.)
	<p>Entrée/Sortie d'air (modèle 5300)</p> <ul style="list-style-type: none"> Lorsque le couvercle de l'événement est ouvert, appuyer une fois sur ce bouton pour inverser le sens de rotation des pales du ventilateur; appuyer une nouvelle fois pour inverser la direction. Le moteur ralentit puis inverse la direction. Si l'opérateur appuie une fois de plus sur le bouton durant le cycle d'inversion, un double bip indique que le cycle est en cours. La fonction peut seulement être changée une fois le cycle d'inversion terminé.
	<p>Voyant du capteur de pluie</p> <ul style="list-style-type: none"> Ce voyant s'allume quand le capteur de pluie est désactivé à la commande murale. Le capteur de pluie peut être activé ou désactivé en appuyant sur le bouton DOWN pendant trois secondes.

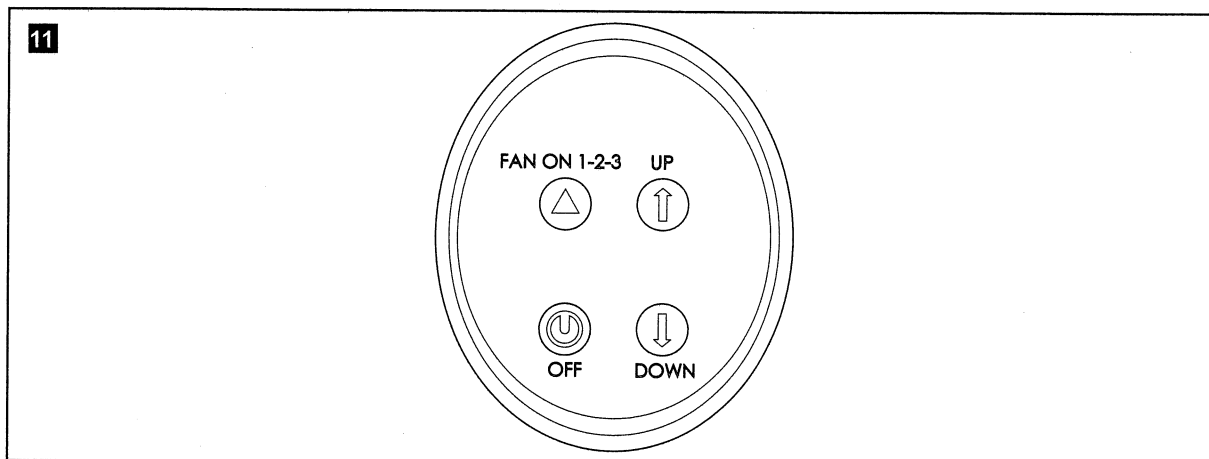
5.7 Commandes murales RJ-11 des modèles 5200 et 5250





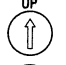

i Lorsque le ventilateur fonctionne : la fermeture du couvercle en appuyant sur les boutons UP/DOWN arrête le ventilateur. La réouverture du couvercle à l'aide des boutons UP/DOWN remet le ventilateur en marche à sa vitesse de consigne précédente. L'utilisation du bouton de marche/arrêt n'aura pas cet effet; ce bouton rétablit le fonctionnement normal du ventilateur.

	Nom	Fonction
	Marche/Arrêt du ventilateur	<ul style="list-style-type: none"> Appuyer pour mettre le ventilateur en marche (le démarrage du ventilateur se fera à grande vitesse). Appuyer pour éteindre le ventilateur (le ventilateur s'arrêtera et le couvercle se fermera).
	Vitesse du ventilateur	<ul style="list-style-type: none"> Appuyer sur la flèche vers le haut pour augmenter la vitesse du ventilateur. Appuyer sur la flèche vers le bas pour diminuer la vitesse du ventilateur. (Le ventilateur a 13 vitesses, à l'exclusion de l'arrêt.)
	Ouverture/Fermeture du couvercle de l'évent (modèle 5250)	<ul style="list-style-type: none"> Lorsque le couvercle de l'évent est fermé, appuyer une fois sur ce bouton pour l'ouvrir. Lorsque le couvercle de l'évent est ouvert, appuyer une fois sur ce bouton pour le fermer.
	Ouverture/Fermeture du couvercle de l'évent (modèle 5200)	<ul style="list-style-type: none"> Lorsque le couvercle de l'évent est fermé, appuyer une fois sur le bouton UP pour l'ouvrir. Lorsque le couvercle de l'évent est ouvert, appuyer une fois sur le bouton DOWN pour le fermer.
	Entrée/Sortie d'air (modèle 5250)	<ul style="list-style-type: none"> Lorsque le couvercle de l'évent est ouvert, appuyer une fois sur ce bouton pour inverser le sens de rotation des pales du ventilateur; appuyer une nouvelle fois pour inverser la direction.

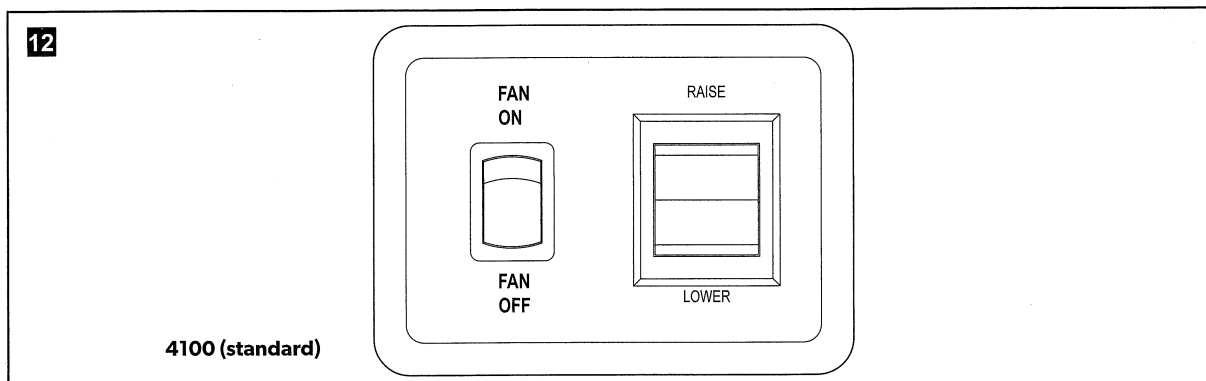
5.8 Commandes murales RJ-11 du modèle 4200



i Lorsque le ventilateur fonctionne : la fermeture du couvercle en appuyant sur les boutons UP/DOWN arrête le ventilateur. La réouverture du couvercle à l'aide des boutons UP/DOWN remet le ventilateur en marche à sa vitesse de consigne précédente. L'utilisation du bouton de marche/arrêt n'aura pas cet effet; ce bouton rétablit le fonctionnement normal du ventilateur.

	Nom	Fonction
FAN ON 1-2-3 	Ventilateur Marche 1-2-3	Appuyer sur ce bouton pour mettre le ventilateur en marche. Chaque pression augmente la vitesse du ventilateur d'un cran : <ol style="list-style-type: none"> 1. Met le ventilateur en marche à la vitesse la plus basse 2. Fait passer le ventilateur à la vitesse 2 3. Fait passer le ventilateur à la vitesse 3 4. Ramène le ventilateur à la vitesse 1
 OFF	Arrêt du ventilateur	<ul style="list-style-type: none"> • Appuyer pour mettre hors tension; le ventilateur s'arrêtera et le couvercle se fermera.
 UP  DOWN	Ouverture/Fermeture du couvercle de l'évent	<ul style="list-style-type: none"> • Lorsque le couvercle de l'évent est fermé, appuyer une fois sur ce bouton pour l'ouvrir. • Lorsque le couvercle de l'évent est ouvert, appuyer une fois sur ce bouton pour le fermer.

5.9 Modèles 4100, 4150 et 4175



- Mettre en marche le ventilateur en présélectionnant 1-BAS, 2-MOYEN ou 3-HAUT sur le sélecteur de vitesse du ventilateur.
- Sur la commande murale, appuyer sur le pavé tactile RAISE/LOWER. Sélectionner la position RAISE et appuyer dessus jusqu'à ce que le dôme (couverture) atteigne la hauteur désirée, puis relâcher le pavé tactile. Une fois le dôme grand ouvert, le moteur d'ouverture du dôme cale; relâcher **immédiatement** le pavé tactile! Sélectionner la position LOWER et appuyer dessus jusqu'à ce que le couvercle s'abaisse à la hauteur désirée, puis relâcher le pavé tactile. Une fois le dôme complètement fermé, le moteur d'ouverture du dôme cale; relâcher **immédiatement** le pavé tactile!

AVIS RISQUE DE DOMMAGES : Si l'opérateur continue à appuyer sur le pavé tactile RAISE/LOWER après la fermeture ou l'ouverture complète du dôme, il risque d'endommager le système d'ouverture.


- Lorsque le ventilateur est équipé d'un interrupteur d'inversion du moteur des pales, présélectionner OUT ou IN; la position centrale est Arrêt (point mort). Alors que le dôme s'ouvre et atteint approximativement 10 cm, les pales se mettent à tourner à la vitesse présélectionnée.
- Pour inverser le moteur des pales du ventilateur pendant que le système fonctionne, sélectionner la position Arrêt centrale (point mort) et attendre l'arrêt complet des pales du ventilateur. Ensuite, sélectionner la direction opposée et redémarrer le moteur.

i OUT (mode Évacuation) aspire l'air frais par une fenêtre ou une porte légèrement ouverte tout en expulsant l'air vicié poussiéreux et chaud par la zone du toit. IN (mode Aspiration) aspire l'air dans le VR à partir de la zone du toit et pressurise le VR si toutes les fenêtres, portes et tous les autres événements sont fermés.


- Lorsque le ventilateur est équipé d'un thermostat intégré, présélectionner un réglage confortable allant de bleu foncé à rouge foncé sur le cadran du thermostat (22 à 123 °F; -6 à 51 °C). Le moteur du ventilateur se met en marche ou s'arrête, selon la température ambiante intérieure par rapport au réglage du thermostat. Quand la température du thermostat est « satisfaite », le moteur du ventilateur s'arrête et le couvercle reste ouvert. Quand le thermostat appelle du frais, le moteur des pales du ventilateur s'active automatiquement. Le couvercle doit être ouvert à 10 cm minimum, et OUT ou IN doit être sélectionné (pas la position Arrêt centrale). L'interrupteur ON/OFF sur le contrôleur mural à côté du pavé tactile RAISE/LOWER doit être en position ON pour que le thermostat puisse activer les pales du ventilateur.

5.10 Modèles 3300 et 3350

- Tourner le sélecteur de vitesse sur une des trois vitesses souhaitées (0-ARRÊT, 1-BAS, 2-MOYEN ou 3-HAUT).
- Sélectionner UP pour ouvrir le couvercle ou DOWN pour le fermer à partir du mini-interrupteur à bascule situé près du moteur d'ouverture.

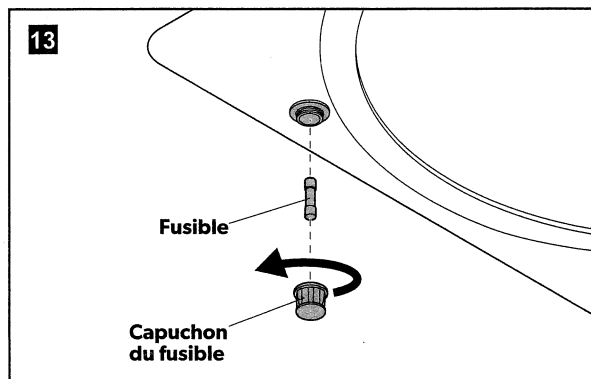
- Si l'appareil est équipé d'un interrupteur de marche/arrêt des pales du ventilateur (modèle 3300), sélectionner ON ou OFF. Lorsque le ventilateur est équipé d'un interrupteur d'inversion du moteur des pales (modèle 3350), présélectionner OUT, IN ou la position centrale Arrêt. Alors que le dôme s'ouvre et atteint approximativement 10 cm, les pales se mettent à tourner à la vitesse et dans la direction présélectionnées. Lorsque le couvercle se ferme, le moteur du ventilateur s'arrête automatiquement. Pour inverser le moteur des pales du ventilateur pendant que le système fonctionne, sélectionner la position Arrêt centrale (point mort) et attendre l'arrêt complet des pales du ventilateur. Ensuite, l'opérateur peut sélectionner en toute sécurité la direction opposée pour redémarrer le moteur.
-  OUT (mode Évacuation) aspire l'air frais propre par une fenêtre ou une porte légèrement ouverte tout en expulsant l'air vicié étouffant et chaud par la zone du toit. IN (mode Aspiration) aspire l'air dans le VR à partir de la zone du toit et pressurise le VR si toutes les fenêtres, portes et tous les autres événements sont fermés.
- Ces deux modèles sont équipés d'un thermostat intégré. Présélectionner un réglage confortable de bleu foncé à rouge foncé sur le cadran du thermostat (22 à 123 °F; -6 à 51 °C). Le moteur du ventilateur se met en marche ou s'arrête, selon la température ambiante intérieure par rapport au réglage du thermostat. Quand la température du thermostat est « satisfaite », le moteur du ventilateur s'arrête et le couvercle reste ouvert. Quand le thermostat appelle du frais, le moteur des pales du ventilateur s'active automatiquement. Le couvercle doit être ouvert à 10 cm minimum, et OUT ou IN doit être sélectionné, pas la position Arrêt centrale (modèle 3350). L'interrupteur de marche/arrêt du ventilateur doit être en position ON (modèle 3300) pour que le thermostat puisse activer les pales du ventilateur.
- Les deux modèles sont équipés d'un capteur de pluie. Lorsque le couvercle est ouvert et que de l'humidité entre en contact avec le capteur, le couvercle se ferme et désactive le moteur des pales du ventilateur. Lorsque le capteur de pluie est sec, le couvercle ne se rouvre pas automatiquement. L'ouverture manuelle du couvercle en utilisant le bouton du moteur d'ouverture aura priorité sur le capteur de pluie pour le fonctionnement du ventilateur, rétablissant le réglage en vigueur avant l'activation du capteur. Lorsque le capteur de pluie a été ignoré par l'ouverture manuelle du couvercle, le capteur de pluie se réactivera une fois sec.

5.11 Modèles 4201, 4251, 4301 et 4351

- Tourner le sélecteur de vitesse sur un des trois niveaux de performance souhaité (0-ARRÊT, 1-BAS, 2-MOYEN ou 3-HAUT). Le ventilateur s'active.
- Sélectionner UP pour ouvrir le couvercle ou DOWN pour le fermer à l'aide de l'interrupteur mural à distance.
- Si l'appareil est équipé d'un interrupteur de marche/arrêt des pales du ventilateur (modèles 4201/4301), sélectionner ON ou OFF. Lorsque le ventilateur est équipé d'un interrupteur d'inversion du moteur des pales (modèles 4251/4351), présélectionner OUT, IN ou la position centrale Arrêt (point mort). Alors que le dôme s'ouvre et atteint approximativement 10 cm, les pales se mettent à tourner à la vitesse et dans la direction présélectionnées. Lorsque le couvercle se ferme, le moteur des pales du ventilateur s'arrête automatiquement. Pour inverser le moteur des pales du ventilateur pendant que le système fonctionne, sélectionner la position Arrêt centrale (point mort) et attendre l'arrêt complet des pales du ventilateur. Ensuite, l'opérateur peut sélectionner en toute sécurité la direction opposée pour redémarrer le moteur.
-  OUT (mode Évacuation) aspire l'air frais propre par une fenêtre ou une porte légèrement ouverte tout en expulsant l'air vicié étouffant et chaud par la zone du toit. IN (mode Aspiration) aspire l'air dans le VR à partir de la zone du toit et pressurise le VR si toutes les fenêtres, portes et tous les autres événements sont fermés.
- Les modèles 4301 et 4351 sont tous deux équipés d'un capteur de pluie. Lorsque le couvercle est ouvert et que de l'humidité entre en contact avec le capteur, le couvercle se ferme et désactive le moteur des pales du ventilateur. Lorsque le capteur de pluie est sec, le couvercle ne se rouvre pas automatiquement. L'ouverture manuelle du couvercle en utilisant le bouton du moteur d'ouverture aura priorité sur le capteur de pluie pour le fonctionnement du ventilateur, rétablissant le réglage en vigueur avant l'activation du capteur. Lorsque le capteur de pluie a été ignoré par l'ouverture manuelle du couvercle, le capteur de pluie se réactivera une fois sec.

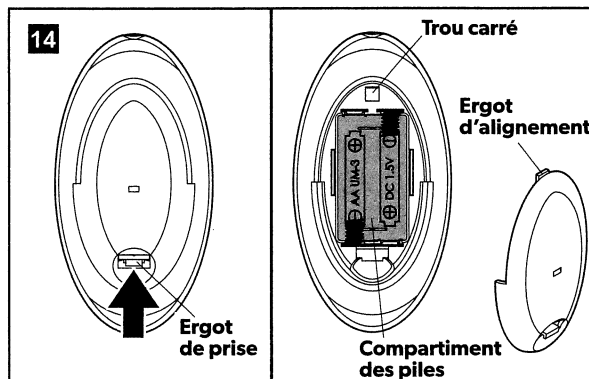
6 ENTRETIEN

6.1 Remplacement du fusible



- Localiser le capuchon noir sur la face du tamis. Tourner le capuchon dans le sens anti-horaire (de droite à gauche) en donnant 1/4 à 1/2 tour, puis le tirer doucement vers le bas. Le capuchon devrait se libérer avec le fusible attaché à l'arrière.
- Inspecter le fusible pour voir si le fil à l'intérieur du verre est cassé et le remplacer si nécessaire. Veiller à utiliser seulement un fusible 4 A à fusion lente.
- Placer une extrémité du fusible neuf dans l'arrière du capuchon porte-fusible et pousser doucement sur l'autre extrémité du fusible pour le remonter complètement à l'intérieur du porte-fusible.
- Revisser le capuchon du fusible noir en place en tournant dans le sens horaire (de gauche à droite) jusqu'à ce qu'il tienne bien (1/4 à 1/2 tour), puis le relâcher.

6.2 Remplacement des piles de la télécommande du 7300/7350



- Pour enlever le couvercle du compartiment des piles situé à l'arrière de la télécommande, tirer sur l'ergot de prise et soulever.
- Faire correspondre les marquages de polarité (+) et (-) des piles aux marquages (+) et (-) au fond du compartiment des piles.
- Pour refermer le compartiment des piles, placer l'ergot d'alignement situé à l'opposé de l'ergot de prise dans le trou carré à l'arrière de la télécommande. Appuyer sur le couvercle jusqu'à ce que l'ergot de prise s'enclenche.

6.3 Résolution d'un problème de couvercle coincé

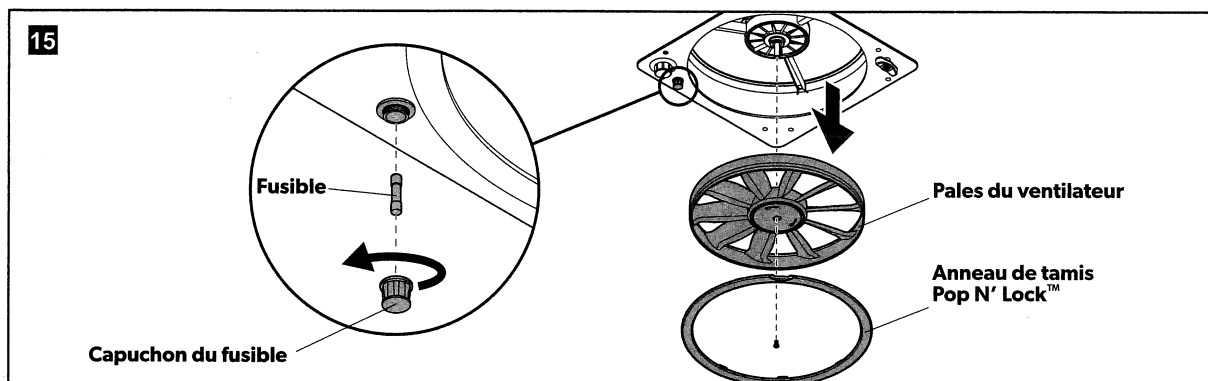
AVIS RISQUE DE DOMMAGES : Si le joint du dôme en caoutchouc EPDM est abîmé ou déchiré, communiquer avec Dometic pour obtenir un joint de rechange.

- Ouvrir complètement le dôme (couvercle).
- Placer une dose généreuse d'alcool dénaturé ou à friction sur un chiffon de nettoyage et nettoyer le dessous du couvercle et le joint en caoutchouc EPDM.
- Le cas échéant, appliquer un agent protecteur à base d'eau (pas à base de pétrole) sur l'intérieur du dôme au point de contact du dôme et du joint. Laisser sécher l'agent protecteur et bien faire briller le couvercle avec un chiffon doux.
- Utiliser un chiffon propre, un essuie-tout ou une brosse en mousse pour appliquer une couche uniforme de silicone pur sur toute la surface supérieure du dôme en caoutchouc EPDM pour l'empêcher de coller au couvercle.



S'essuyer les mains et bien les laver avec du savon et de l'eau.

6.4 Nettoyage du ventilateur



- Enlever le fusible. Enlever l'anneau du tamis Pop N' Lock™ en saisissant l'onglet de prise d'une main avant de tirer droit vers le bas. Utiliser la main libre pour appuyer contre le tamis (panneau de commande) afin d'éviter de casser le tamis Pop N' Lock. La dépose du Pop N' Lock peut être difficile au départ, mais elle deviendra plus facile à l'usage.
 - Utiliser une main pour tenir les pales du ventilateur pour les empêcher de tourner et enlever la vis cruciforme de la face du moyeu central des pales du ventilateur. Une fois la vis des pales du ventilateur déposée, saisir les pales du ventilateur des deux mains des côtés opposés (par exemple, positions 3 h et 9 h) et tirer fermement vers le bas. Il faudra peut-être remuer les pales du ventilateur vers le haut et le bas ou sur les côtés jusqu'à ce qu'elles glissent de l'arbre moteur.
 - Nettoyer l'insert du tamis (Pop N' Lock) et les pales du ventilateur avec un nettoyant pour vitres ou un liquide vaisselle non abrasif et de l'eau chaude. Vous pouvez aussi placer l'insert du tamis et les pales du ventilateur dans le panier du haut d'un lave-vaisselle.
- i** Optionnel : Une fois le tamis et les pales propres et secs, passer au chiffon ou pulvériser un agent protecteur à base d'eau (pas à base de pétrole) sur le tamis et les pales et bien faire briller. Ceci minimise l'accumulation de poussière et de saletés et facilite les nettoyages futurs.
- Remonter le ventilateur en inversant les étapes appropriées ci-dessus.

GARANTIE LIMITÉE

GARANTIE LIMITÉE DISPONIBLE À WWW.DOMETIC.COM/WARRANTY.
POUR TOUTE QUESTION OU POUR OBTENIR UNE COPIE GRATUITE DE LA GARANTIE LIMITÉE, CONTACTER :

DOMETIC CORPORATION
CUSTOMER SUPPORT CENTER
1120 NORTH MAIN STREET
ELKHART, INDIANA, ÉTATS-UNIS 46514
+1-866-544-4881 OPT 4